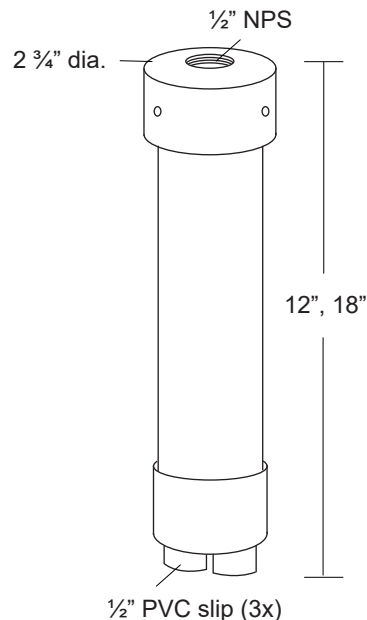


POWERED GROUND STAKE ELECTRONIC TRANSFORMER MODEL MT-3

Machined aluminum cap with PVC stake for ground-mounting low voltage luminaires.

- Machined aluminum cap.
- 120 - 277 VAC power supplies
- 12 VDC output
- 21W - 60W options
- Seven standard TGIC powder coat finishes and clear anodized finish available.
- 1/2" NPS threads accepts industry standard luminaires.
- Conduit entries (3 x 1/2" slip) and o'ring seal on cap.
- PVC stake lengths: 12" or 18".
- CSA listed for wet location
- Warranty: 10 years.



Specifications

MODEL:	MT-3	CAP FINISH:	BK - Black	BKT - Black Texture
MOUNTING:	1/2" NPS for luminaire		BZ - Bronze	BZT - Bronze Texture
CONDUIT ENTRY:	1/2" female slip (3x)		WT - White	SL - Silver
			BG - Beige	CA - Clear Anodized

Ordering Logic:

MODEL	METAL	STAKE LENGTH	STYLE*	INPUT VOLTAGE	CAP FINISH	
MT - 3	A - Aluminum	12 - 12"	1 - 60W (TR - 6)	120 - 120 VAC	BK - Black	BKT - Black Texture
	B - Brass	18 - 18"	2 - 21W (TR - 8)	230 - 230 VAC	BZ - Bronze	BZT - Bronze Texture
			3 - 60W (TR - 9)	277 - 277 VAC	WT - White	SL - Silver
					BG - Beige	CA - Clear Anodized

ORDERING EXAMPLE: MT - 3 - A - 12 - 1* - 120 - BZ

*See page 2 for transformer specifications.

Excelsior Lighting, Inc.

PROJECT

TYPE

TR-6

- 60W maximum load
- No minimum load
- 12 VDC output
- 120, 230 or 277 VAC input
- 0.625A 50/60Hz
- Designed for LED lamps
- 10 ft. maximum distance per fixture
- Minimum temperature of -15°C and maximum temperature of 90°C
- Dimmable with regular line dimmers
- 2 3/4" L, 1 3/8" W X 1" H
- C-UL-US UL recognized component
- Damp location use
- 3-year warranty



TR-8

- 21W maximum load
- No minimum load
- 12 VDC output
- 120-277 VAC input
- 0.22A 63Hz
- Use with ELI 9W or 12W module products
- 10 ft. maximum distance per fixture
- Minimum temperature of -30°C and maximum temperature of 90°C
- Dimmable with regular line dimmers
- 2.76" L, 1.57" W X 1" H
- C-UL-US UL recognized component
- Damp location use
- 3-year warranty



TR-9

- 60W maximum load
- 3W minimum load
- 12 VDC output
- 120 VAC input
- 50-60Hz
- Use with ELI 9W, 12W, 17W module products
- 10 ft. maximum distance per fixture
- Minimum temperature of -30°C and maximum temperature of 90°C
- Dimmable with regular line dimmers
- 3.00" L, 1.57" W X 1" H
- C-UL-US UL recognized component
- Damp location use
- 3-year warranty

